



Built-In Options for Existing Spaces

Space Measurements:

Length (mm) =

Height (mm) =

Cavity Depth (mm) =

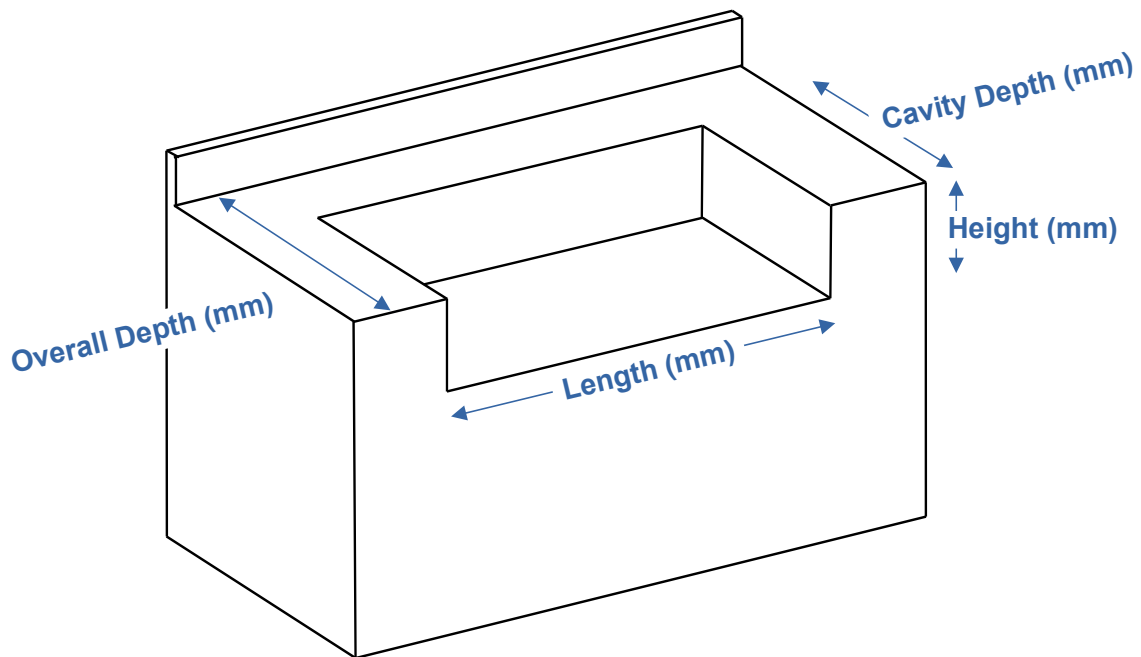
Overall Depth (mm) =

Gas Type =

Gas Point Location (left/right, please mark) =

Power Point Location (left/right, please mark) =

Bench/Build Material =



Notes:

Visit us in store or email your measurements and we will be happy to assist!
Moorabbin - U1, 105 Cochranes Rd Moorabbin VIC 3189 | moorabbin@bbqsplus.com
Port Melbourne - 437 Graham St Port Melbourne VIC 3207 | portmelb@bbqsplus.com

